

# 2.4G Paddle Monopole Antenna

## FEATURES



- Designed for both Indoor & Outdoor applications
- Ground Plane dependent
- Full 2.4G backward compatibility
- 3.08 dBi Peak Gain
- Small Form Factor



The FYT-19 range of antennas are designed to decrease the lifetime cost of M2M and mobile device installations by offering a robust, effective antenna that is easy to install and lasts the lifetime of the installation without the need for maintenance.

## PRODUCTS

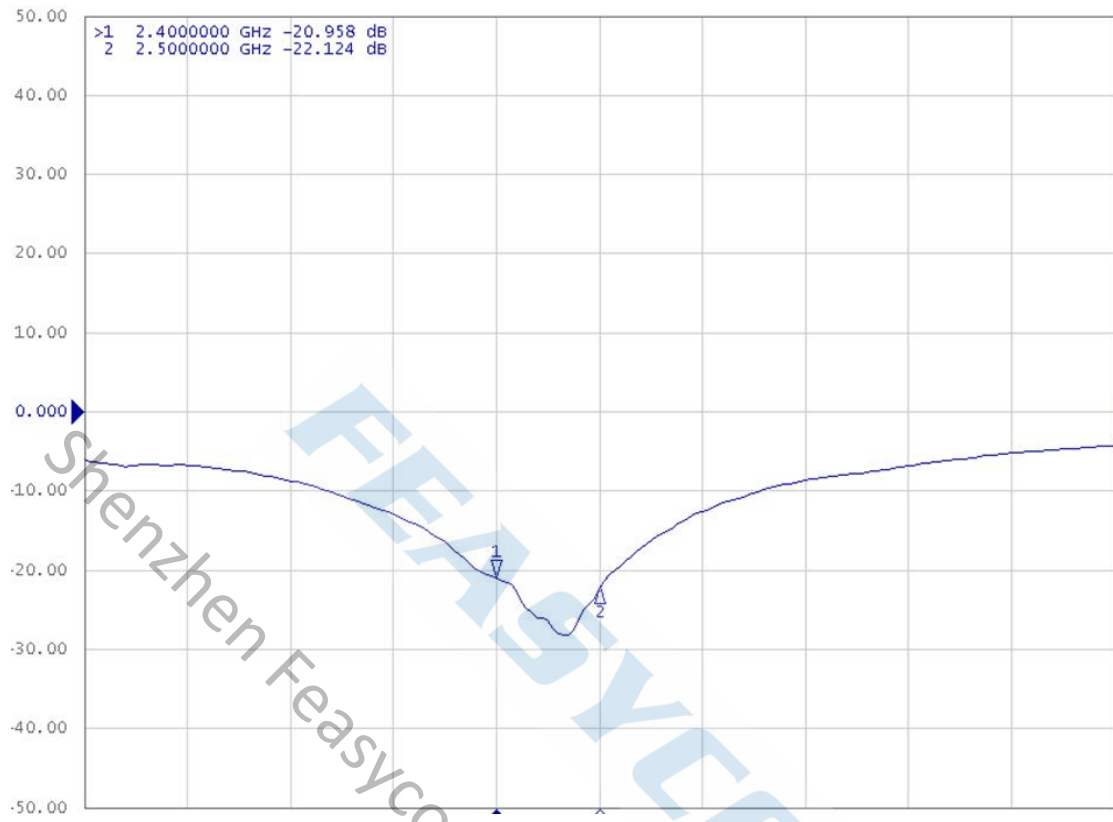
Part No.	Weight	Dimensions (L x W x H)	Connector	Color
M02-0600200R0A (F12E00505A0)	6g	47.6*17.2*8.2mm	SMA-Male	Black
M02-0600190R0A (F12E00505A0)	6g	50.5*17.2*10.4mm	SMA-Male	Black

## SPECIFICATIONS

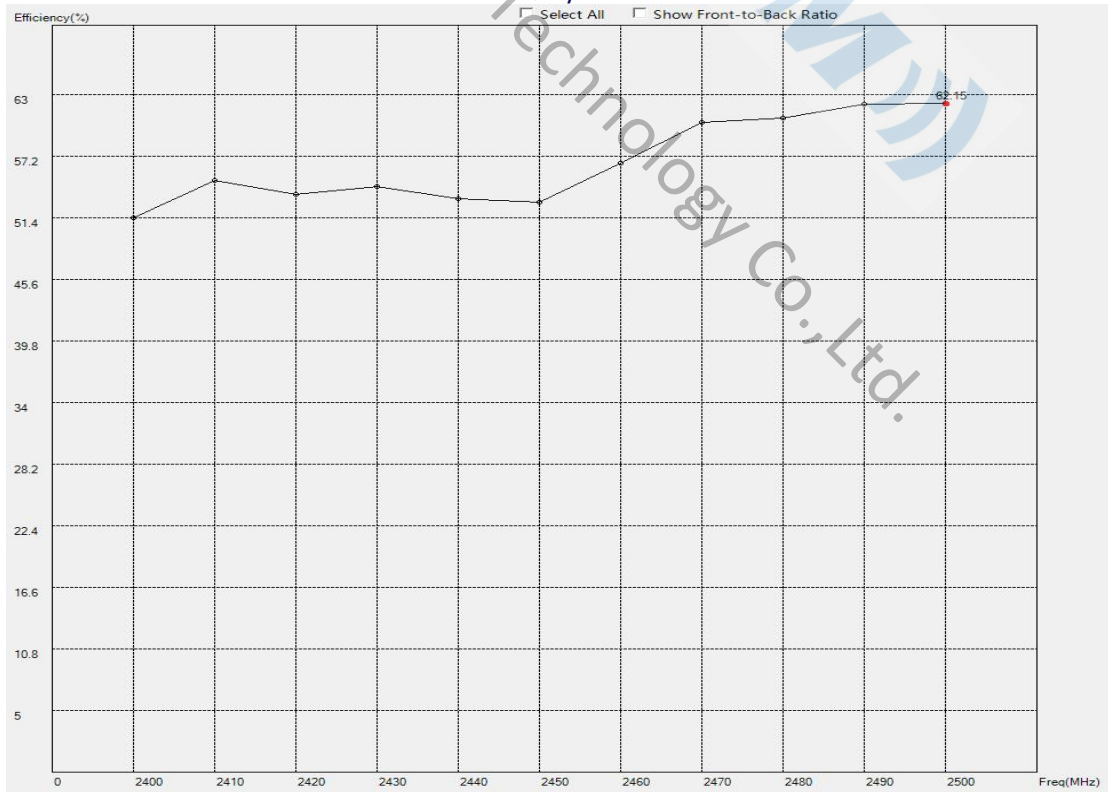
PARAMETER	SPECIFICATION
Frequency Bands, MHz	2400-2500
VSWR (Max)	3.0:1
Peak Gain, dBi (Typ)	Up to 3.08
Nominal Impedance	50 $\Omega$
Max Power (ambient temp of 25°C)	10 Watts
Azimuth Beam Width (deg)	Omnidirectional
Polarization	Linear
Radome	TPE, Black
Storage Temperature Range (°C)	-40° C to +85° C
Operational Temperature Range (°C)	-30° C to +80° C
Material Substance Compliance	REACH/RoHS Compliant
HSCODE	8517707090
USHSCODE	8517620010
UPC	

## ELECTRICAL DATA

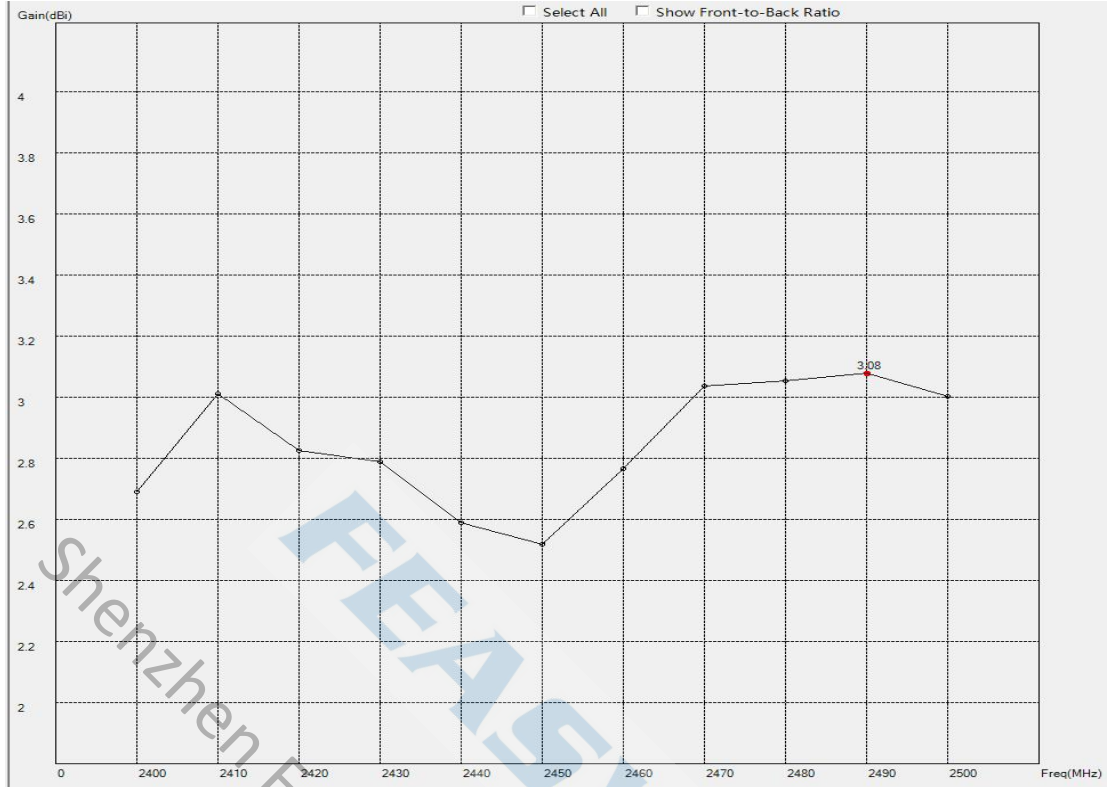
### Return Loss



### Efficiency (%)

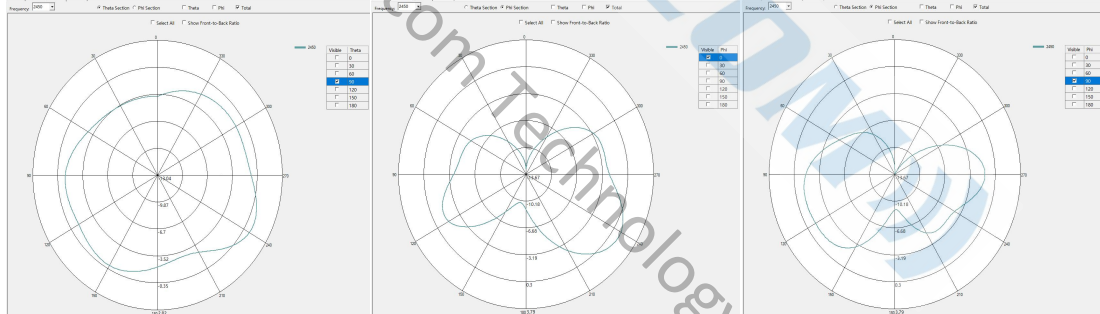


### Peak Gain (dBi)



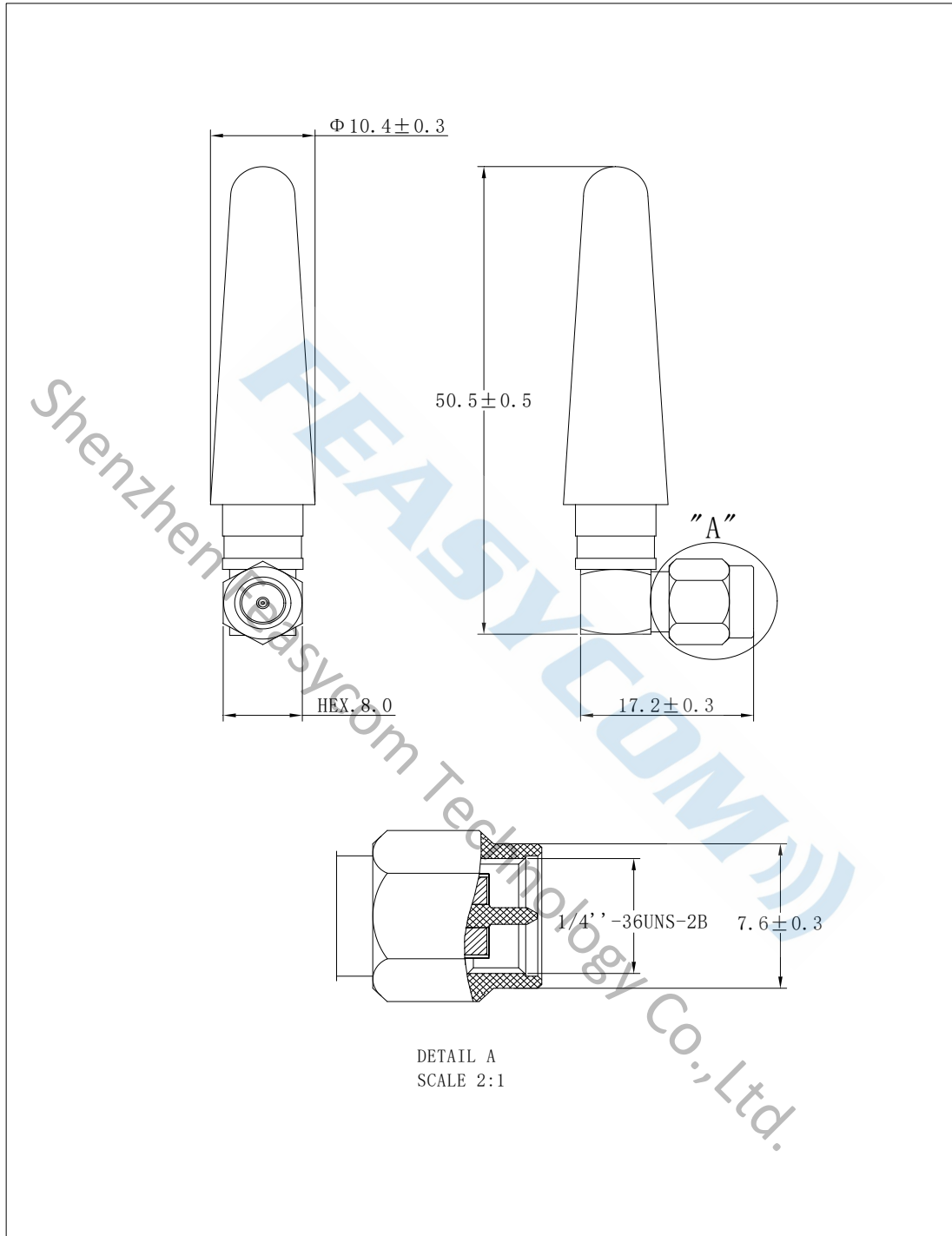
### RADIATION PATTERNS

#### 2D Radiation Pattern at 2450MHz



# HOUSING CONFIGURATIONS

M02-0600190R0A



DETAIL A  
SCALE 2:1

M02-0600200R0A

