

4G Paddle Monopole Antenna

FEATURES



- Designed for both Indoor & Outdoor applications
- Ground Plane dependent
- Full 4GLTE backward compatibility
- 4.0 dBi Peak Gain
- Small Form Factor



The **Feasycm F12E00500A0** , **F12E00500A1** range of antennas are designed to decrease the lifetime cost of M2M and mobile device installations by offering a robust, effective antenna that is easy to install and lasts the lifetime of the installation without the need for maintenance.

The antenna offers ground-plane dependent Omni-directional performance across global cellular and LTE bands making it a versatile solution for any number of applications. The efficient element design ensures a high first time connection rate and an ongoing, robust communications link even in problematic coverage areas.

PRODUCTS

Part No.	Weight	Dimensions (L x W x H)	Connector	Color
(M02-0500110R0A) F12E00500A0	6g	47.6*17.2*8.2mm	SMA-Male	Black
(M02-0500100R0A) F12E00500A1	6g	50.5*17.2*10.4mm	SMA-Male	Black

SPECIFICATIONS

PARAMETER	SPECIFICATION	
Frequency Bands, MHz	698-960	1710-2690
VSWR (Max)	3.0:1	3.0:1
Peak Gain, dBi (Typ)	Up to 4.0	
Nominal Impedance	50 Ω	
Max Power (ambient temp of 25°C)	10 Watts	
Azimuth Beam Width (deg)	Omnidirectional	
Polarization	Linear, Omnidirectional	
Radome	TPE, Black	
Storage Temperature Range (°C)	-40° C to +85° C	
Operational Temperature Range (°C)	-30° C to +80° C	
Material Substance Compliance	REACH/RoHS Compliant	
HSCODE	8517707090	
USHSCODE	8517620010	
UPC		

Shenzhen Feasycm Co.,LTD

ADD: Rm 508, Building A, Fenghuang Zhigu, No.50, Tiezai Road, Xixiang, Baoan District,Shenzhen,518100, China.

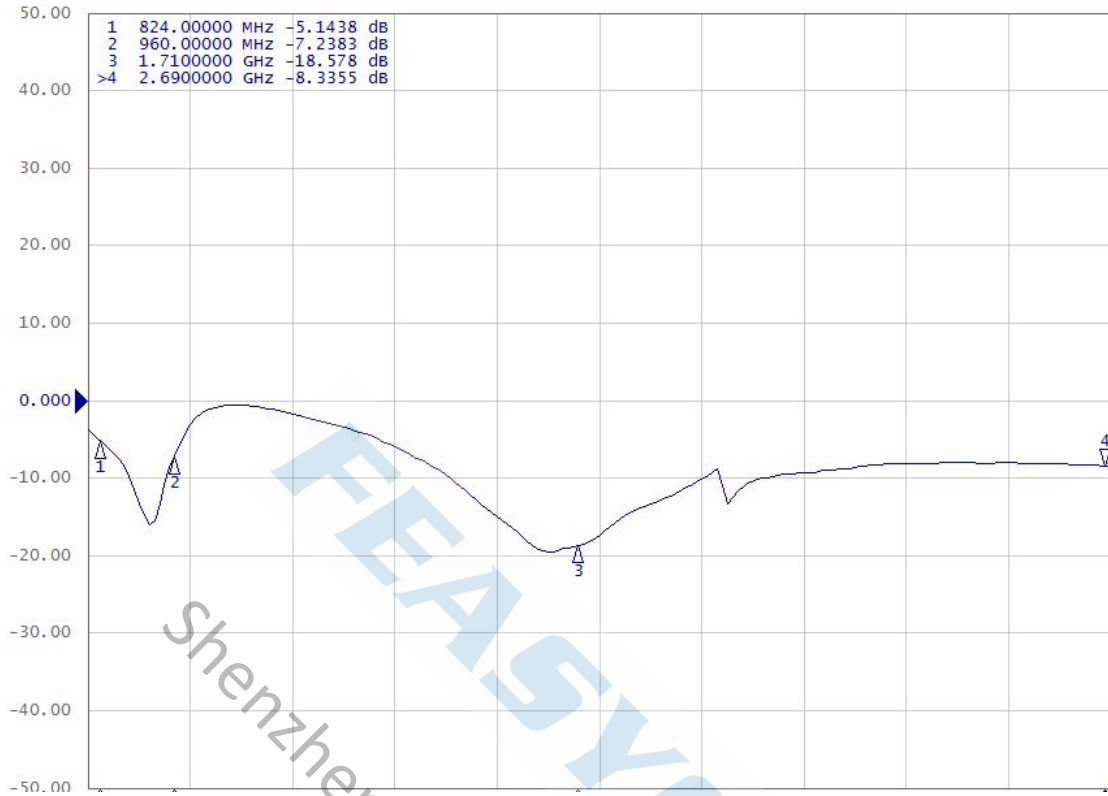
Tel: 86-755-27924639 E-mail: sales@feasycm.com



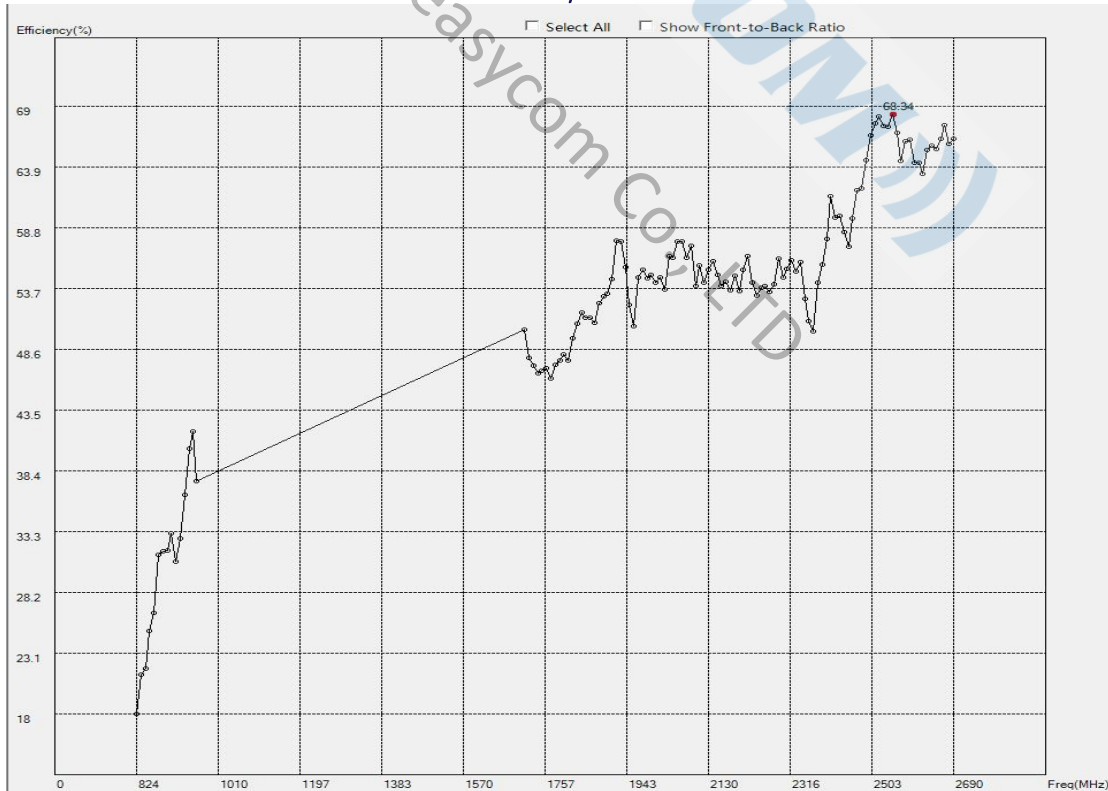
FEASYCOM

ELECTRICAL DATA

Return Loss



Efficiency (%)



Shenzhen Feasycom Co.,LTD

ADD: Rm 508, Building A, Fenghuang Zhigu, No.50, Tiezai Road, Xixiang, Baoan District, Shenzhen, 518100, China.

Tel: 86-755-27924639 E-mail: sales@feasycom.com

Peak Gain (dBi)

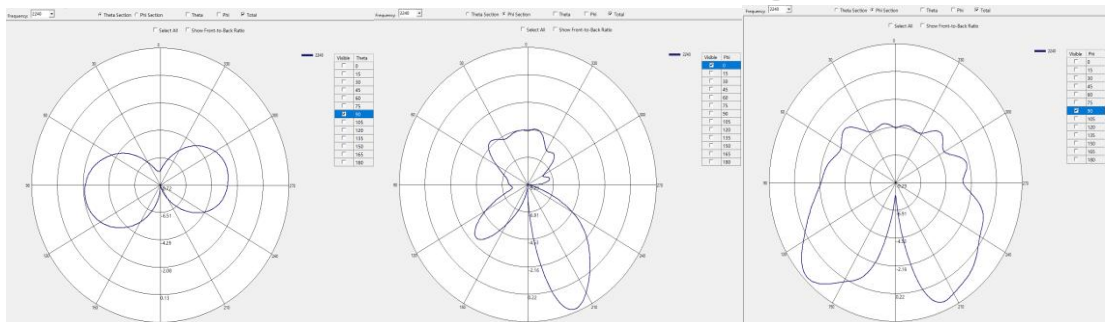


RADIATION PATTERNS

2D Radiation Pattern at 864MHz



2D Radiation Pattern at 2210MHz

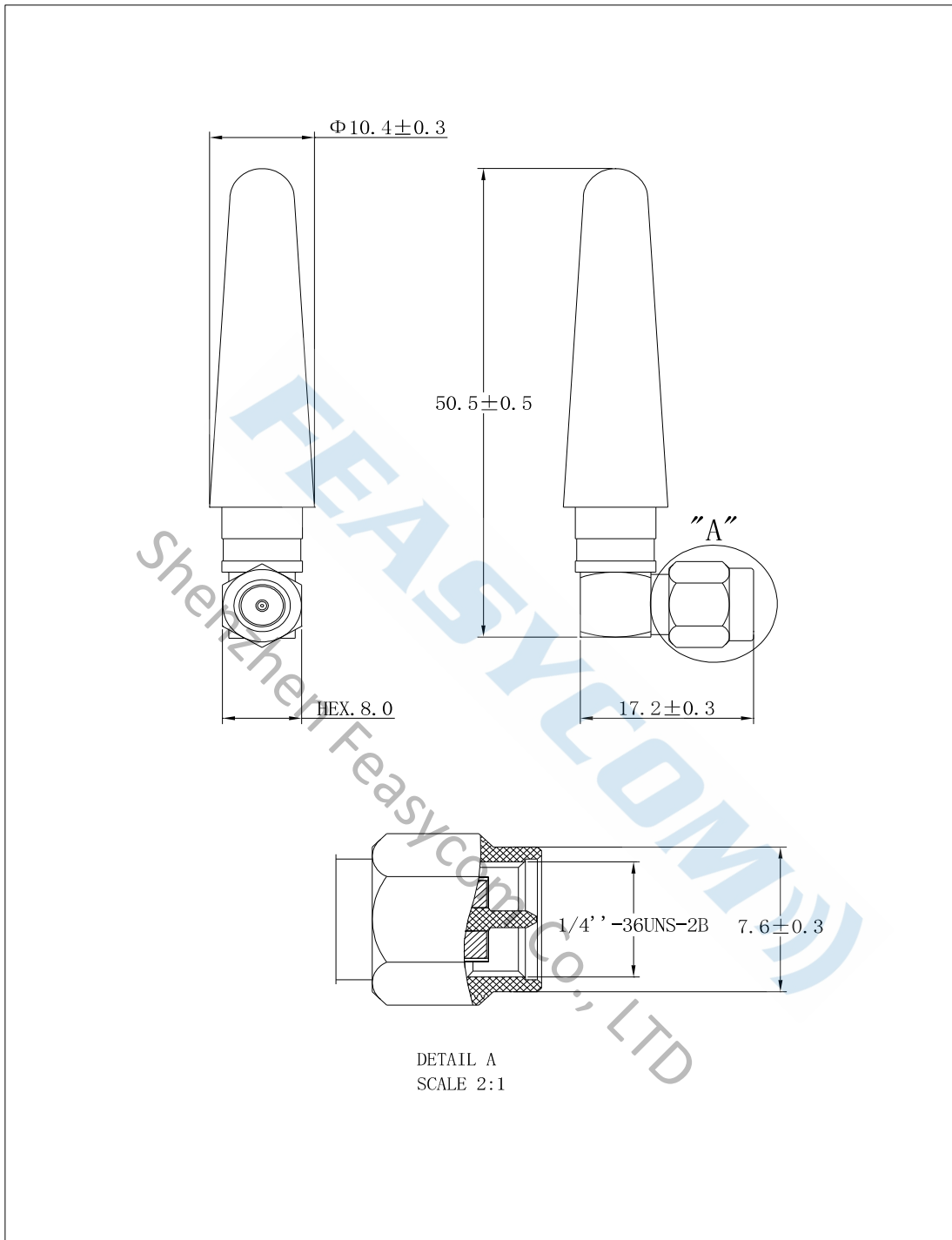




FEASYCOM

HOUSING CONFIGURATIONS

M02-0500100R0A



Shenzhen Feasycom Co.,LTD

ADD: Rm 508, Building A, Fenghuang Zhigu, No.50, Tiezai Road, Xixiang, Baoan District, Shenzhen, 518100, China.

Tel: 86-755-27924639 E-mail: sales@feasycom.com

M02-0500110R0A

